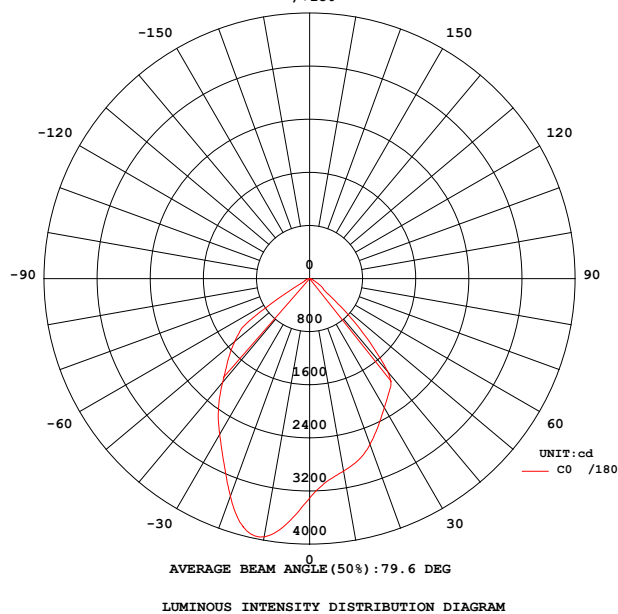
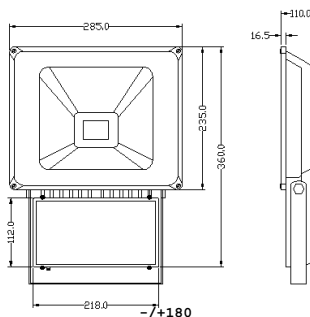


80 watt - LED Flood Light

EO-FLW-80W



SPECIFICATIONS	
Model Number	EO-FLW-80W
Power Consumption	88 watts (LCP)
LED Consumption	1 x 80 watt Bridgelux
Driver	Meanwell
LED Initial Flux	8,000 lumens
LED Luminous Efficiency	80.0 lumens/watts
Exit Lumens	6,400 lumens
Average Lumens	4m - 114.3 lux - 236.01 lux 6m - 50.79 lux - 104.91 lux 8m - 28.57 lux - 59.01 lux 10m - 18.25 lux - 37.77 lux
Illuminated Area	At 4m - 11m diameter At 6m - 16m diameter At 8m - 22m diameter At 10m - 27m diameter
Light Angle	120°
Power Factor	0.9
Input Voltage	AC 240V
Storage Temperature	-25°C - +65°C (25°C)
Working Temperature	-40°C - +55°C
IP Rating	IP65
Colour Temperature	5500 kelvin
Colour Index	>Ra75
Certificate	CS 9567N IEC 60598.2.1B IEC 61346.2.13:2006 N28689
Life Expectancy	50,000 + Hrs
Weight	7.8 kg (Carton of 2 = 15.8kg)
Warranty	3 Years



This product is eligible for the NSW Energy Savings Scheme
For more information visit our website: www.eolighting.com