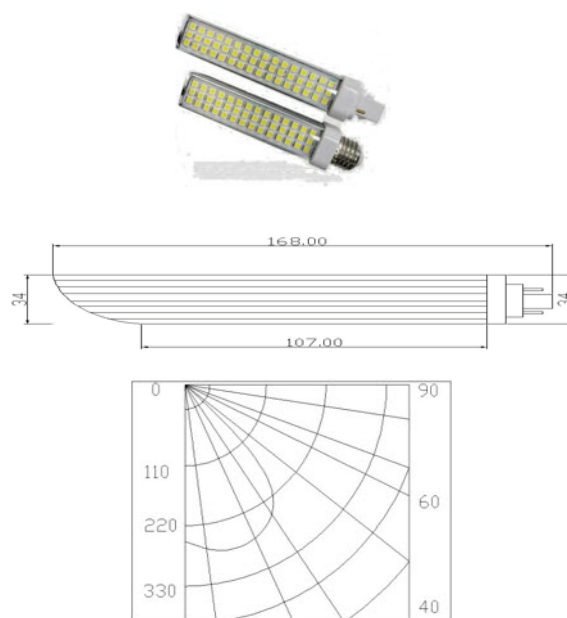


G24 or E27 10 watt LED Lamp

EO-G24-10W / EO-E27-10W



SPECIFICATIONS	
Product Code	
G24 base	EO-G24-10W-PHL
E27 base	EO-E27-10W-EHL
Power Consumption	<10watts
Input Voltage	AC 240v, 50-60Hz
Constant Current	DC 550mA +/-5%
LED Quantity	84 pcs SMD 3014 LED
Luminous Flux	720 lumens
Cover	Clear
Base	G24 or E27 available
No. of LEDs	99 PCS
Measurement	L 170mm x 36mm
Weight	70g
Beam Angle	120 degree
Average Life Expectancy	50,000+hrs
Ambient Humidity	95%
Colour Rendering Index	.85
Operating Temperature	<55°C
Colour Temperature	Warm White 3000K Cool White 4000K Day Light 6000K
Safety Assurance	CE and RoHS EMC
Compliance	Approval No: CS9724 N28689
Energy Saver Schemes	This product is approved for use under the NSW Energy Saving Scheme and Victorian Energy Efficient Target scheme
Warranty	3 year



Suitable for use in Eo Sienna Nanobright downlights -for best performance



APPLICATION: It can be used in stage, shopping mall, guesthouse, hotel,

museums, art galleries, art galleries, meeting rooms, exhibitions

PRODUCT FEATURES: No UV or IR Radiation / Low Power Consumption/ Even Lighting, Non-Halation, High Intensity/ Unique Radiation Design / Constant Current Circuit

For more information visit our website: www.eolighting.com.au