
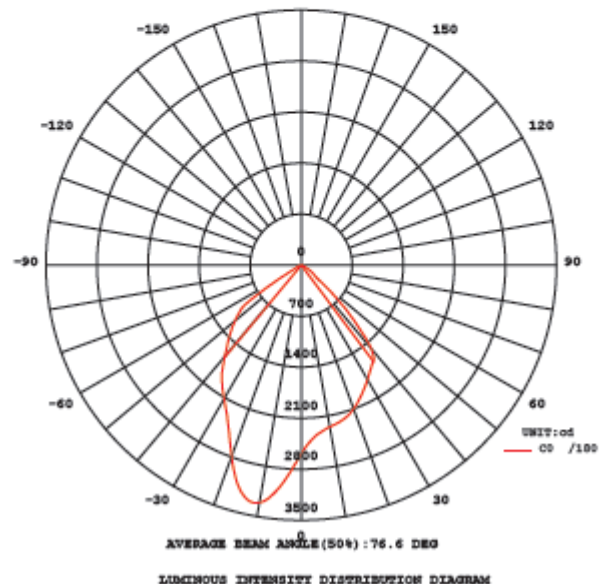
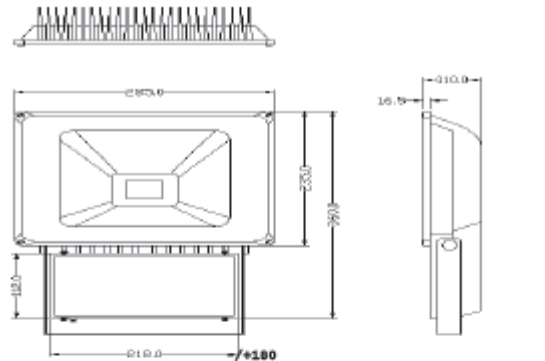


# 60 Watt LED Flood Light

# EO-FLW-60W



SPECIFICATIONS	
Model Number	EO-FLW-60W
Driver	Built In
Power Consumption	64w (LCP)
LED	Citizen CLL042-1218A5-503M1A2
LED Luminous Flux	5795.7 Lumens
LED Luminous Efficiency	90.56 lm/watt
Average Illumination	4m 108.4 lux – 197.71 Lux 6m 48.16 lux – 87.87 lux 8m 27.09 lux – 49.03 lux 7m 17.34 lux – 31.63 lux
Illuminated Area	At 4m – 11m diameter At 6m – 17m diameter At 8m – 22m diameter At 10m – 27m diameter
Input Voltage	240 Volts, 50 Hz
Power Factor	>0.98
Storage Temperature	-25°C - +68°C
Working Environment	-25°C - +50°C
Body Material	Die Cast Aluminium Alloy and Glass
IP Rating	IP 65
Rendering Index CRI	Ra 68.8
Colour Temperature	5500 Kelvin Standard Other kelvins available to order
Certificate	CS 9567N IEC 60598.2.5 IEC 61346.2.13:2006  N28689
Life Expectancy	>50,000 hrs
Net Weight	6 (Carton of 2 = 12.3 kg)
Warranty	5years



This product is eligible for the NSW Energy Saving Scheme  
For more information visit our website: [www.eolighting.com.au](http://www.eolighting.com.au)