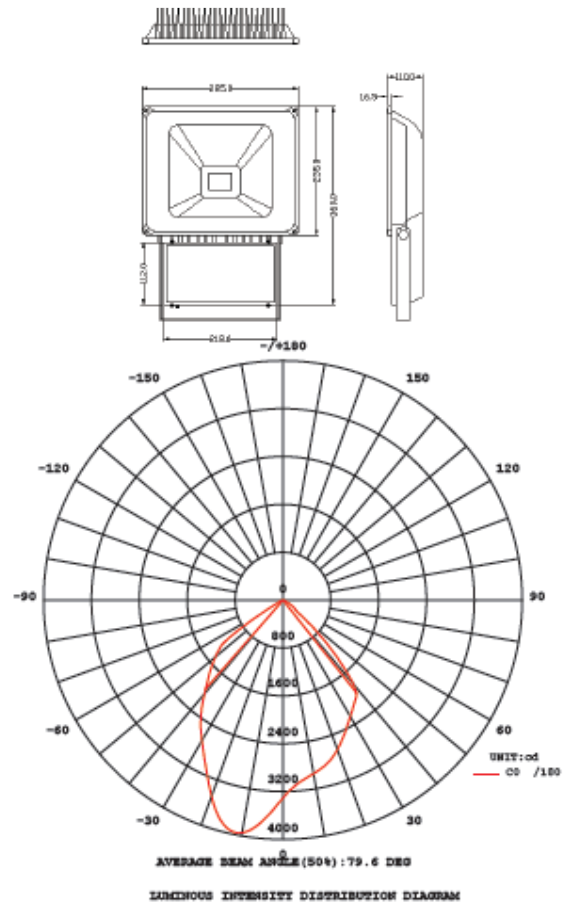


# 80 Watt LED Flood Light

# EO-FLW-80W



SPECIFICATIONS	
Model Number	EO-FLW-80W
Driver	Built In
Power Consumption	84w (LCP)
LED	Citizen CLL042-1218A5-503M1A2
LED Luminous Flux	6964 Lumens
LED Luminous Efficiency	82.90 lm/watt
Average Illumination	4m 114.3 lux – 236.01 Lux 6m 50.79 lux – 104.91 lux 8m 28.57 lux – 59.01 lux 7m 18.25 lux – 37.77 lux
Illuminated Area	At 4m – 11m diameter At 6m – 16m diameter At 8m – 22m diameter At 10m – 27m diameter
Input Voltage	240 Volts, 50 Hz
Power Factor	>0.97
Storage Temperature	-25°C - +65°C
Working Environment	-25°C - +50°C
Body Material	Die Cast Aluminium Alloy and Glass
IP Rating	IP 65
Rendering Index CRI	Ra 69.3
Colour Temperature	5500 Kelvin Standard Other kelvins available to order
Certificate	CS 9567N IEC 60598.2.5 IEC 61346.2.13:2006 N28689
Life Expectancy	>50,000 hrs
Net Weight	7.8 kg (Carton of 2 = 15.8 kg)
Warranty	5 years



This product is eligible for the NSW Energy Saving Scheme  
For more information visit our website: [www.eolighting.com.au](http://www.eolighting.com.au)