


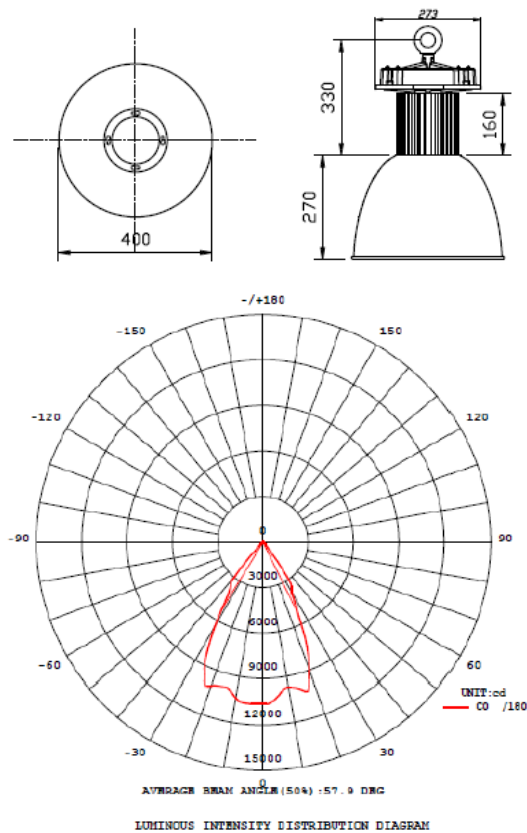
100 Watt LED High Bay

EO-HB-100W



Unique high performance polished rimless reflector

SPECIFICATIONS	
Model Number	EO-HB-100W
Driver	Built In
Power Consumption	113w (LCP)
LED	Citizen – CLL042-1218A5-503M1A2
LED Luminous Flux	10,394.4 Lumens
LED Luminous Efficiency	94.41 lm/watt
Average Lumens	4m – 560 lux 5m – 280 Lux 8m – 150 Lux 10m – 137 Lux
Illuminated Area	At 4m – 3.1m diameter At 6m – 4.7m diameter At 8m – 6.2m diameter At 10m – 7.8m diameter
Input Voltage	240 Volts, 50 Hz
Power Factor	<0.969
Working Environment	-25°C - +55°C
Body Material	Die Cast Aluminium Alloy and PC
Reflector	30° 60° 120° high performance photometrically optimized polished rimless reflector Please specify when ordering
IP Rating	IP 65
Colour Index CRI	Ra 69.1
Colour Temperature	5500 Kelvin Standard Other kelvins available to order
Certificate	CS 9567N IEC 605982.1B IEC 61346.2.13:2006  N28689
Life Expectancy	>42,000 hrs
Net Weight	8 kg
Warranty	5years



This product is eligible for the NSW Energy Saving Scheme

For more information visit our website: www.eolighting.com.au