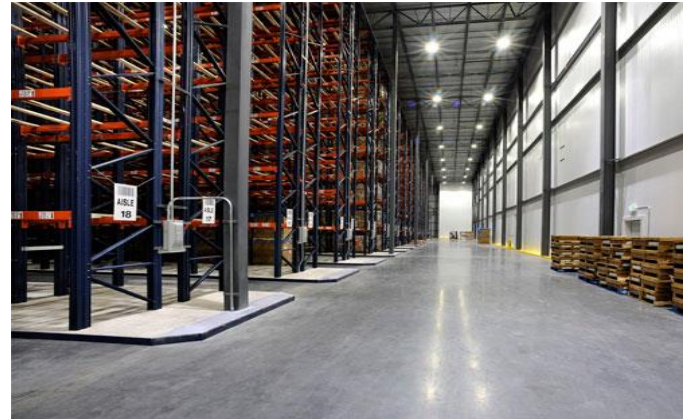


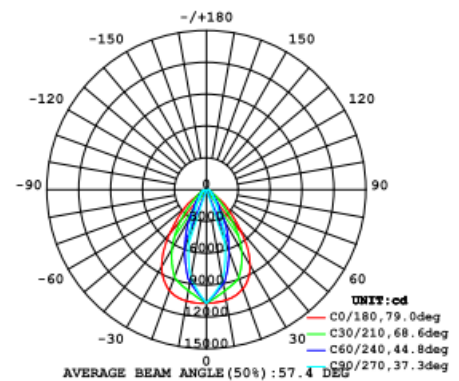
90 Watt LED Linear High Bay Light

EO-LHB-90W

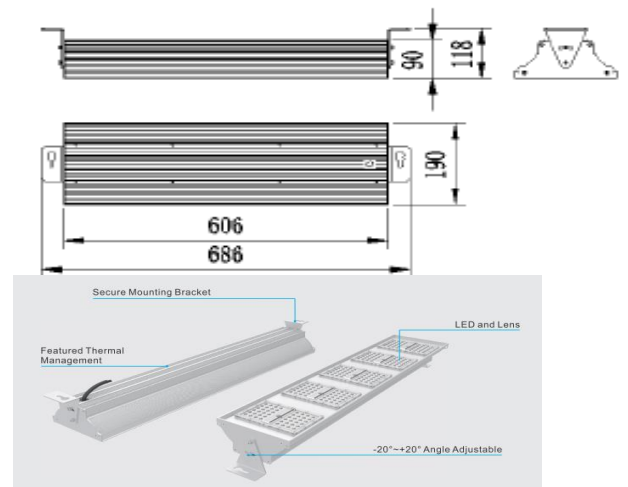


SPECIFICATIONS	
Model Number	EO-LHB-90W
Driver	Built - in
Power Consumption	91.65w (LCP)
LED	Nichia NF2L757DR
LED Initial Flux	10,800 lumens
Average Lumens	5m – 323 lux 6m – 224 lux 8m – 126 lux 10m – 81 lux 12m – 56 lux
ED Luminous Efficiency	> 120 lumens / watt
Beam Angle	40 x 80°
Power Factor	>0.95
Working Voltage	AC 220-265 voltage
Input Voltage	240 Volts, 50 Hz
Lamps Efficiency	>90%
Material	Aluminium House – PC Lens
Working Temperature	- 40°C to + 40°C
Luminaire Base temperature	65°C (at room temp 30')
IP Rating	IP 65
Colour Temperature	Cool White 4700 kelvin Daylight 5300 kelvin
Colour Index	>Ra70
Certificate	SAA1060246 60598.2.1:2014, 60598.1:2013 N28689
Dimensions	L686 x W190 x H118mm
Net Weight	4.6.Kg
Life Expectancy	50,000 + Hrs
Warranty	7 Years

LUMINOUS INTENSITY DISTRIBUTION DIAGRAM



Physical Dimensions



Application: Warehouse, factory, showroom, large scale retail display, railway station, storage