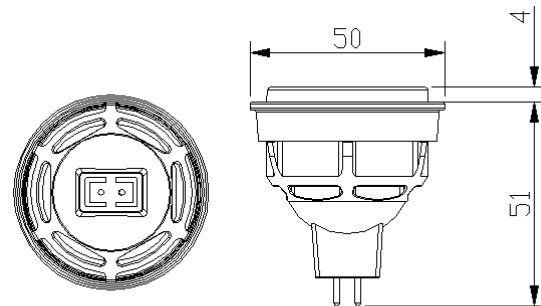


# MR16 - 8 Watt 12V LED lamp

# EO-MR16-8W



SPECIFICATIONS	
Product Code	EO-MR16-8W
Power Consumption	7.5 watts
Operational Voltage	12v DC (power supply required)
Power Factor	>0.90
Intensity of Light Output	Warm White - 520 lumens Cool White - 590 lumens
Colour temperature	Warm White - 3000 Kelvin Cool White - 4000 Kelvin
Colour Rendering index	➤ 80 CRI
LED Chip	Citizen
Dimmable	100%- 5%
Dimensions	50mm x 51mm
Expected Life	40,000+ hrs
Beam Angle	45° & 60° available
Warranty	3 years



MR16 7W

For more information visit our website: [www.eolighting.com.au](http://www.eolighting.com.au)